

MONICA



MONICA is quintessential Bulo. Both timeless and contemporary, she feels at home in different interiors. The lounge combines elements of classical woodworking and upholstery with state-of-the-art production techniques. This results in a contemporary lounge chair with a vintage look that's well adapted to the technicality and comfort of today. The combination of natural products and traditional craftsmanship makes it a versatile and functional addition to your home and office.



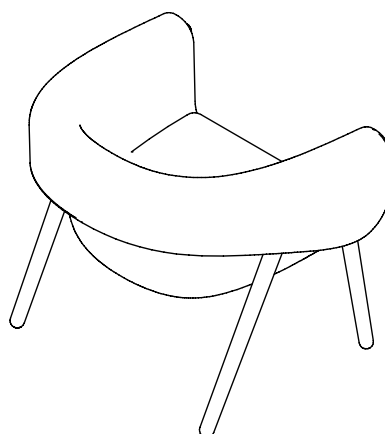
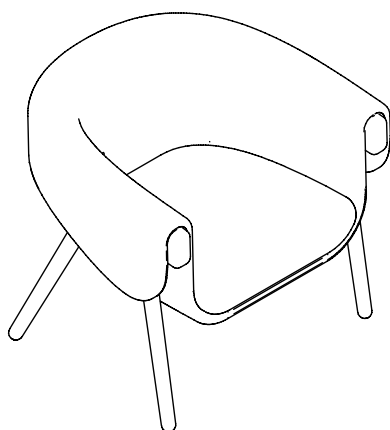
Content

Types	3
Dimensions	4
Materials	4

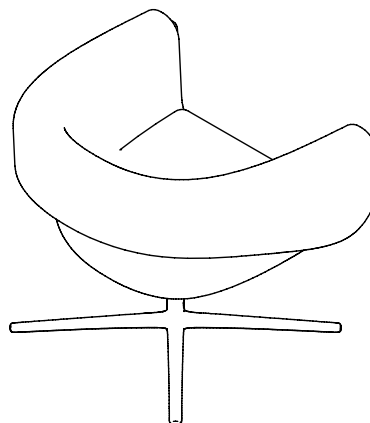
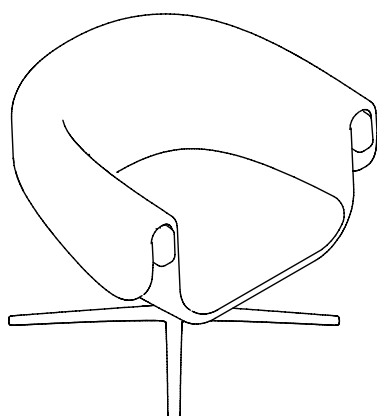


Types

4 legs

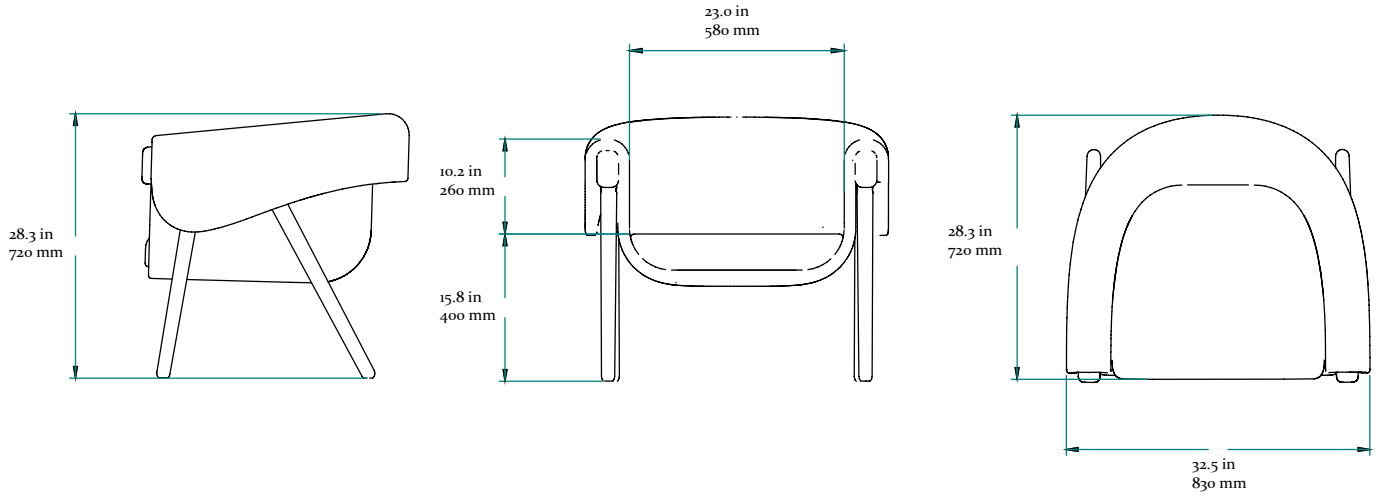


4-star base

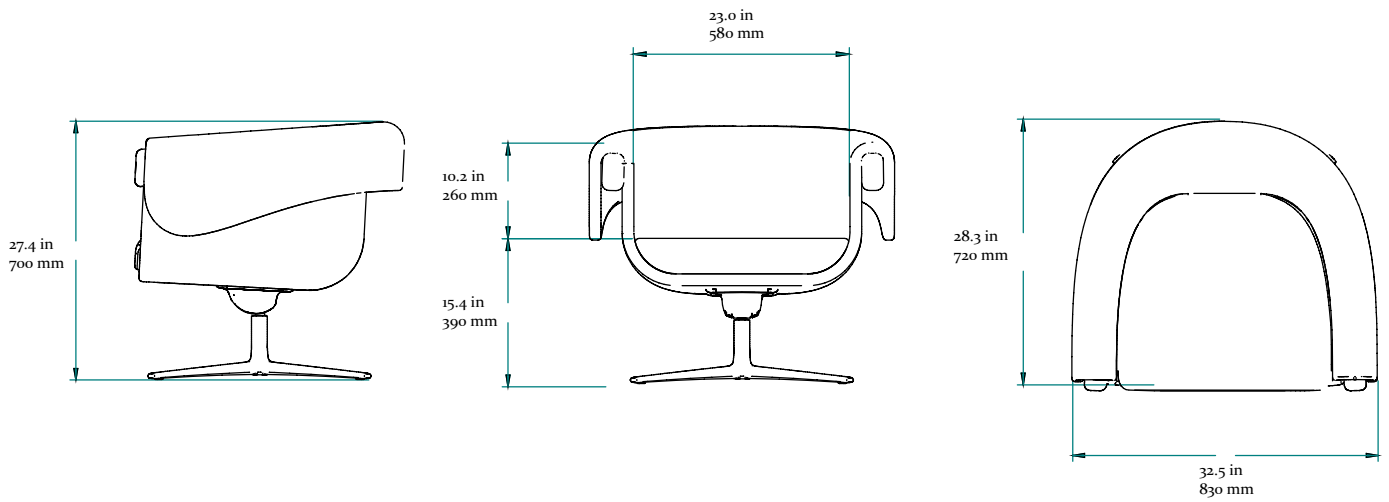


Dimensions

4 legs



4-star base



Materials

Solid ash or walnut

Metal frame with molded HR foam

High quality fabrics; with focus on natural yarns