

# oOstende

by Luc Vincent & BuloDesigners



# oOstende

by Luc Vincent & BuloDesigners

The oOstende chair is inspired by classic molded plywood models which are sturdy workhorses in many environments. With the observation that a chair back is often used to hang a bag or a coat, a notch is added to the back to enhance this function.

## TECHNICAL INFORMATION

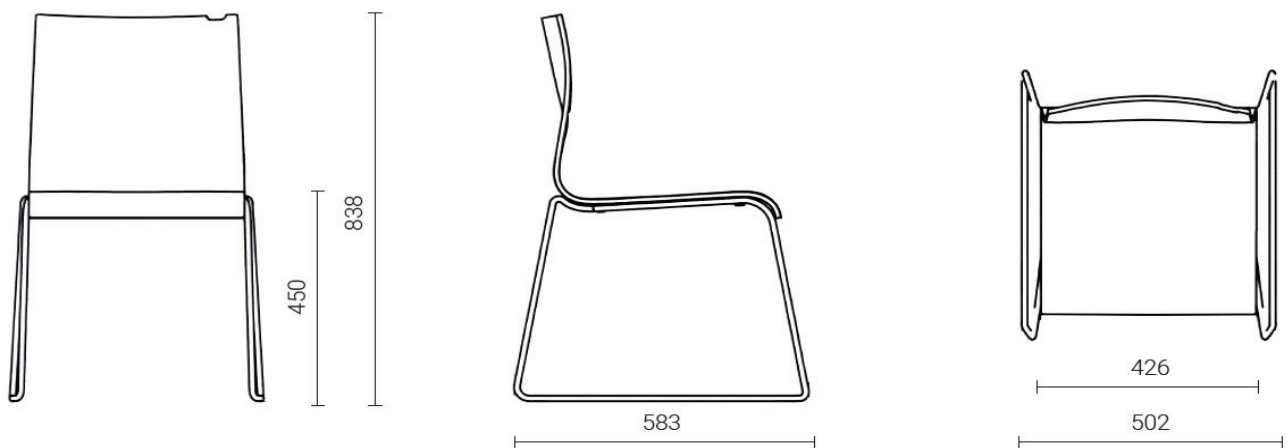
The oOstende chair is stackable and is constructed of molded plywood and wire steel base.

Dim.: w.502 x d.583 x h.838 mm

Seat height: 450 mm

Stackable up to 10 chairs

Weight: 7,7 kg



# oOstende

Base	Code	List prices	
		wood	shell lacquer
Stackable up to 10 chairs			
Base lacquered	<b>OOSTCH * **</b>	<b>300</b>	415
Base chrome	OOSTCHCH **	300	415
Base champagne	OOSTCH17 **	335	450

## FINISHES & CODES

### \* Lacquered base

01 lily white  
04 black  
10 red

### \*\* 1) Shell

#### Wood

**BN natural beech**  
BD stained in santos  
rose wood color

#### Lacquer

01 lily white  
02 light grey  
03 dark grey  
04 black  
10 red

### \*\* 2) Glides

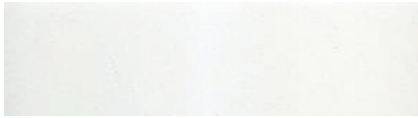
F felt glides for wooden floors  
**G plastic glides for stone floors and carpet**

Code example: OOSTCH01BNG = 300

# oOstende

## Colors and materials

### BASE



White  
Ral 9010  
powder coated



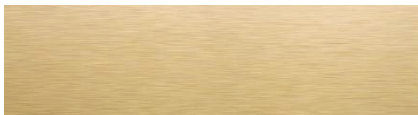
Black  
Ral 9005  
powder coated



Red  
Ral 3001  
powder coated



Chrome

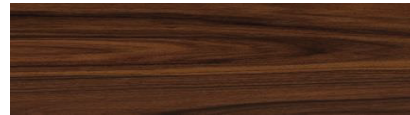


Champagne  
(messing color)

### SHELL



Beech plywood  
natural



Beech plywood  
santos rose wood  
stained



White  
Ral 9010  
lacquered



Black  
Ral 9005  
lacquered



Red  
Ral 3001  
lacquered



Light grey  
Pantone 14-4106  
lacquered



Dark grey  
Pantone 176-15U  
lacquered

# General Information

This price list is valid as from 1st January 2021. It supersedes and replaces all previous price lists.

Images and descriptions in all catalogues and price lists are for reference only. Variations in structure and color may occur.

Bulo may change prices and/or change specifications of products and/or take products out of collection at any time.

Orders are accepted definitively as soon as they are confirmed in writing. Cancellations by the client are not accepted, barring certain exceptions agreed by Bulo within 5 working days.

## DELIVERY IN BELGIUM

For small spare parts that can be sent in an envelope or small package, a transport- and administration cost of 30 Euro will be charged for delivery in Belgium.

For orders less than 1500 Euro net excl. VAT, a transport cost of 100 Euro excl. VAT, will be charged for delivery in Belgium.

## DELIVERY CONDITIONS OUTSIDE BELGIUM

For small spare parts that can be sent in an envelope or small package, a transport- and administration cost of 40 Euro will be charged for delivery in Belgium's neighbouring countries (excl. UK). For UK and other countries the shipment costs depend on the delivery address. Contact us for a shipment quotation.

For orders with delivery address outside of Belgium, transport is ex-works (incoterm). However, a delivery by Bulo is possible in which case the transport costs will be charged, based on volume and delivery address, with a minimum of 180 Euro, excl. VAT. Contact us for a shipment quotation.

When delivery ex-works, the liability for the goods is transferred from Bulo to the buyer from the moment the goods have left Bulo's warehouse. We advise ex-works customers to insure products during transport.

For delivery by Bulo to a warehouse, the client will provide a warehouse address that complies with the following conditions: easy access route and ample parking space for a truck with a 13,6 m long trailer. The truck will be without tailgate lift unless otherwise agreed by Bulo beforehand. A forklift truck has to be on site, as well as personnel to offload and take the goods inside. Installation and waste disposal are not included. Delivery during regular working hours. Delivery to a private house always in consultation with Bulo, subject to an upcharge.

In case Bulo is requested to deliver to the UK, Bulo can only offer transport on DAP basis (incoterm). Contact us for a shipment quotation.

## UPHOLSTERY

Bulo carefully selected their standard materials and fabrics. If the customer wants to use materials outside of the standard collection, Bulo reserves the right to test COM or COL before accepting the order, and if not suited as upholstery to refuse the order. In case a sample chair needs to be produced to test the suitability of the COM or COL, this will be done in consultation with and after agreement of the client prior to production. The sample chair will be charged to the client.

Leather is a precious and valuable product. No two are alike. A variety of markings like healed scars and abrasions may be visible and are not considered defects but rather add to the character of the piece, reflecting its history. All leather will stretch and form comfort creases as a result of being sat on. The effect is called puddling. Puddling occurs from the initial use period and generally does not continue beyond this, as the amount of stretch is directly related to the amount of compression. Puddling is not a fault with the leather; rather it is a good indication of quality manufacturing as large pieces of leather are used. The creases do not diminish the quality of leather upholstered furniture. It is a natural process.

Climate affects fabric just as it does wood. Heat, cold, humidity and sunlight contribute to fabric instability.

Jewelry, silverware, even a sharp pencil can mark the upholstery. It's important to keep sharp objects away from your furniture.

## WOOD IS A NATURAL MATERIAL

We point out that wood is a natural material.

Under the influence of light a discoloration of the original (or natural) wood colour occurs (ask Bulo or your Bulo partner for explanation and advice). Extremely important for the condition of the wood is maintaining the relative humidity as constant as possible (approx. 60%) to avoid drying, and with it shrinking of the wood.

Our veneer samples are made from another tree than the veneer for the final product. This means that the veneer for the final products can deviate in color and design from our veneer samples.

## GUARANTEE

Bulo products are under guarantee for a 2 year period for manufacturing defaults following the date of delivery. Each Bulo product has been manufactured with exceptionally high quality materials and with the greatest possible care. The product leaves the factory only after a thorough quality control. Should in spite of our control a material- or production fault occur, Bulo will exchange or repair the product or provide the necessary replacement parts, corresponding to the delivery conditions valid at the time the delivery of the product occurred. This guarantee is valid on the sole condition that the care and maintenance instructions were correctly applied and the products have been used in regular fashion. Defaults that occur due to injudicious use are exempt from the guarantee.

Appealing to the Bulo guarantee for manufacturing defaults is possible within the guarantee period that starts from the date of delivery to the first owner or at the latest from 30 days after delivery of the goods to the Bulo dealer. Application on the guarantee can be directed either to Bulo or to your Bulo dealer, only on presentation of the invoice. Bulo or your Bulo dealer will take care of the complaint.

Specific exclusions :

- Excessive wear and tear is not covered by the guarantee.
- Damages occurred through improper use or incorrect maintenance are exempt from the guarantee.
- Indirect damages following a possible defect, such as loss of income, etc... are not covered by the guarantee.
- Repairs on the product or upholstery executed without written consent from Bulo are exempt from the guarantee.
- The guarantee does not apply on leather and fabric upholstery, gaslifts and castors, for which a 1 year guarantee applies.
- Materials that are not part of the standard Bulo collections, used on explicit instructions of the buyer, are not covered by the guarantee.
- Damage caused during onwards transport or improper storage of the product or damage caused by accident are exempt from the guarantee.
- Color variations; while every effort is made to ensure parity of color, Bulo can't guarantee an exact color match in any painted or wood finish or guarantee against commercial variance in fabrics, especially on repeat orders
- Natural product changes, due to aging, exposure to light and naturally occurring markings, scarring and wrinkles in leather. These are not covered by the guarantee.
- Damages to the shell and/or upholstery of the Tab Chair due to impact caused by the user

For products or parts that Bulo procures with third parties Bulo applies the same guarantee as the guarantee conditions that Bulo receives from the supplier, with a minimum of 12 months.

## DAMAGED GOODS

Bulo guarantees that products are in impeccable condition when leaving the warehouse in Mechelen, Belgium.

Reports of damaged goods are only accepted when compliant to the below conditions:

- When accepting a Bulo delivery the client inspects and takes photographs of the packaged goods prior to moving or unpacking them.
- Visible transport damage or loss MUST be noted on the carrier's CMR consignment note. This must be reported to the carrier and to Bulo in writing within 24 hours following the delivery, accompanied by photographs taken at the moment of delivery as described above and a copy of the CMR consignment note.
- Invisible damage or loss must be reported to the carrier and to Bulo in writing within 7 calendar days following the delivery, accompanied by at least 1 detailed photograph of the damage, 1 photograph of the whole packaging and photographs taken at the moment of delivery as described above.
- Damage to goods inside damaged packaging needs to be reported to Bulo within 48 hours after receipt of the goods, accompanied by at least 1 detailed photograph of the damage, 1 photograph of the entire product and photographs taken at the moment of delivery as described above.
- Damage to goods inside undamaged packaging needs to be reported to Bulo within 7 calendar days after receipt of the goods, accompanied by at least 1 detailed photograph of the damage, 1 photograph of the entire product and photographs taken at the moment of delivery as described above.

## RETURN OF GOODS

Returned goods are not accepted unless the sender has received written consent and despatch instructions from Bulo.

## PCON

In case of a price anomaly between pCon and this price list, it's the price in this price list that is valid and that will be charged.